

SR598ML3



Mounting Pattern
Up to 800 x 600mm
(31.50" x 23.62")



Max Load
280lb
(127kg)

SMARTMOUNT.

Motorized Height Adjustable Flat Panel Cart

FOR 42" TO 86" INTERACTIVE DISPLAYS

The SmartMount® Motorized Height Adjustable Cart was designed to safely mount, move, and store an interactive display. UL recognized actuators allow you to raise or lower a display, up to 25.6" (650mm), with the touch of a button. For easy setup and storage, the rear compartment provides a secure area for a PC and power strip, while the cable management cord wrap neatly stores the power cord when not in use. The cart's large wall plate and locking casters provide a stable foundation for touch applications, and the integrated handles allow you to easily maneuver the cart from room to room. For added protection, the corner bumpers prevent damage to walls or doorways. The durable black powder coat finish provides a nice aesthetic to complement this highly functional solution that is ideal for any touchscreen application.

- Display height can be adjusted up to 25.6" (650mm) with the touch of a button
- Textured black powder coat finish helps hide finger prints and dust
- Open frame display adaptor helps prevent display input interference
- Universal display adaptor fits mounting patterns from 200 x 200 to 800 x 600mm
- Corner bumpers protect walls and doorways from damage
- Rear enclosure provides up to 10"W x 8"H x 4"D storage for mini PCs such as Dell Optiplex Micro, HP 260 G2, Lenovo M600 Tiny or Intel NUC, and also includes mounting locations for external wi-fi antennas
- Safety limit switch automatically reverses direction and stops when a collision is detected in an upward, downward or lateral force
- Includes Peerless-AV® PVP1200-CPL6 six outlet Power Strip with 15ft cord and 2160 joule rating (15A, 120V, 1800W, EMI/RFI noise filtering)
- Cord wrap included for managing surge protector cord
- UL 962 listed, complementary UL1678 listing



PLUMB ADJUSTMENT
+2° / -4° of plumb adjustment keeps even the heaviest of displays level

VERTICAL ADJUSTMENT
Center of display is adjustable from 34"-60" from the floor

WELDED BASE AND PRE-ASSEMBLED CASTERS
Provide rigidity, stability and quick assembly

SAFE AND EASY MANEUVERABILITY
4" (102mm) swivel casters meet UL/CUL requirements



Rear Enclosure with Included Six Outlet Surge Protector (PVP1200-CPL6)



RoHS
2002/95/EC



Complies with the ADA Standards for Accessible Design, Section 308.

✉ info@peerless-av.com
🌐 peerless-av.com

peerless-AV®
Driving Technology Through Innovation

SR598ML3	SmartMount® Motorized Height Adjustable Flat Panel Cart for 42" to 86" Interactive Displays
----------	---

Product Specifications

	DIMENSIONS (W X H X D)	PRODUCT WEIGHT	LOAD CAPACITY	FINISH	AVAILABLE COLORS
SR598ML3	46.60" x 47.33"-72.87" x 30.70" (1184 x 1202-1851 x 780mm)	115lb (52.2kg)	280lb (127kg) Display	Textured Powder Coat	Black

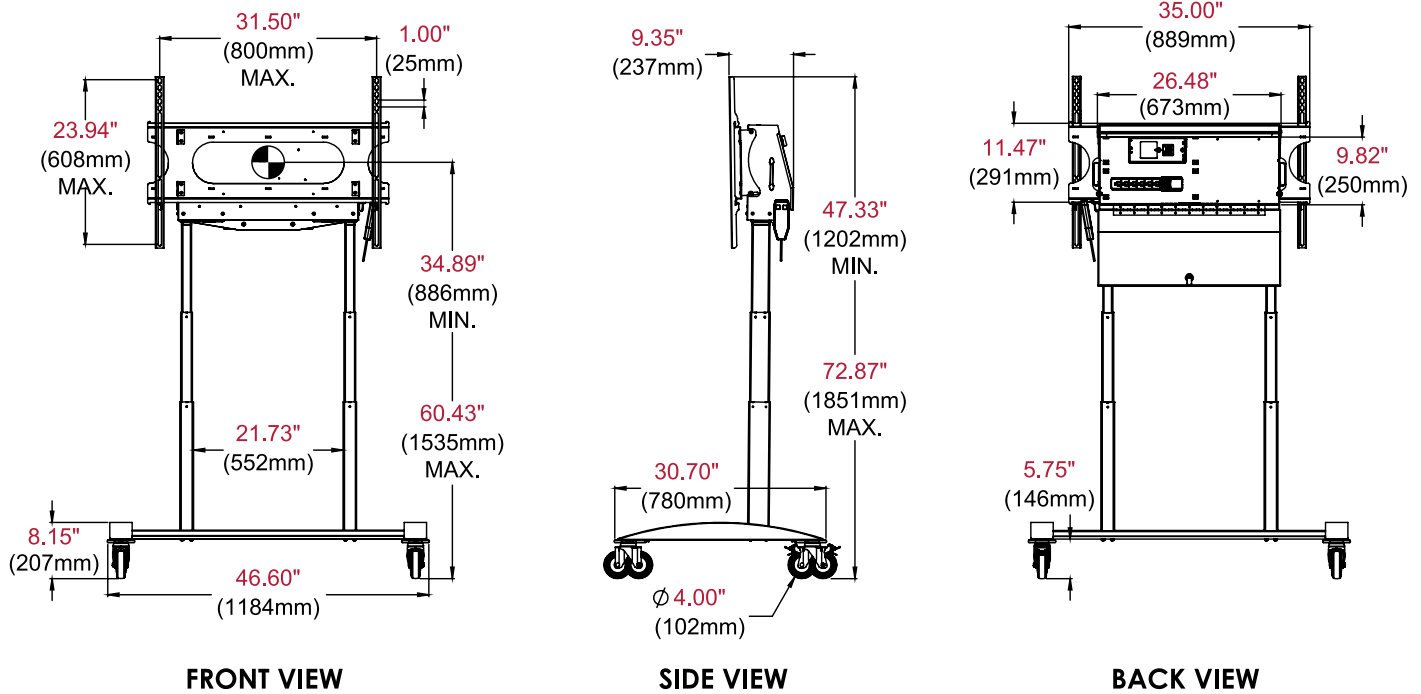
Package Specifications

	PACKAGE SIZE (W x H x D)	PACKAGE SHIP WEIGHT	PACKAGE UPC CODE	PACKAGE CONTENTS	UNITS IN PACKAGE
SR598ML3	48.00" x 10.00" x 39.00" (1219 x 254 x 991mm)	130.5lb (59.2kg)	735029322108	Assembled Base with Motorized Columns and Casters, Rear Enclosure, Universal Display Adaptor, Control Box, Control Switch, Surge Protector, Hardware & Instructions	1

Accessories

- ACC310:** Feet Accessory
- ACC-MCCM:** Component Mount
- ACC-WMVCS:** Video Conferencing Shelf

All dimensions = inch (mm)



Architect Specifications

The SmartMount® Motorized Height Adjustable Flat Panel Cart shall be a Peerless-AV model SR598ML3 and shall be located where indicated on the plans. Assembly and installation shall be done according to instructions provided by the manufacturer.

Visit peerless-av.com to see the complete line of AV solutions from Peerless-AV, including outdoor displays, wireless, kiosks, digital audio, display mounts, projector mounts, carts/stands, and a full assortment of accessories.

Peerless-AV
2300 White Oak Circle
Aurora, IL 60502 USA
(800) 865-2112
(630) 375-5100
Fax: (800) 359-6500

Peerless-AV EMEA
Unit 3 Watford Interchange
Colonial Way, Watford
Herts, WD24 4WP
United Kingdom
+44 (0) 1923 200100
Fax: +44 (0) 1923 200101

Peerless-AV Latin America
Av. de las Industrias 413
Parque Industrial Escobedo
General Escobedo, N.L.,
México, 66062
+52 (81) 8384-8300
Fax: +52 (81) 8384-8360

